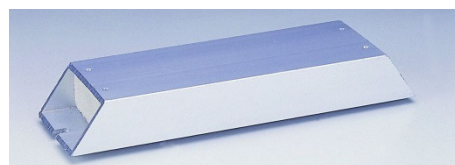
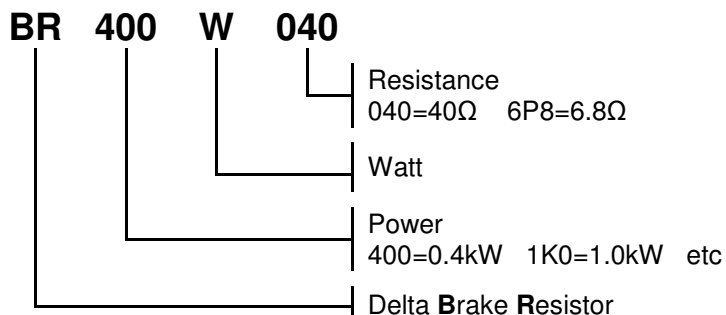




Datasheet Brake Resistors

Type number key



Overview: Power, Resistance, Dimensions

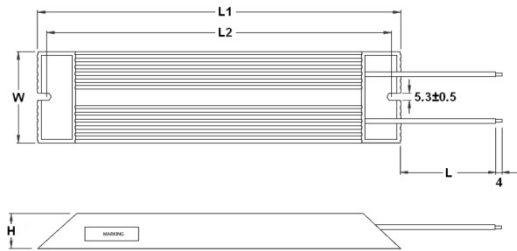
| Resistor type | Power (kW) | Resistance (Ω) | L1 (mm) | L2 (mm) | H (mm) | D (mm) | W (mm) | Wire length (mm) | Weight (kg) | Drawing |
|---------------|------------|----------------|----------------|---------|--------|--------|--------|------------------|-------------|---------|
| BR080W200 | 0.08 | 200 | 140 | 125 | 20 | 5.3 | 40 | 150 | 0.16 | 2 |
| BR080W750 | | 750 | | | | | | | | |
| BR200W091 | 0.2 | 91 | 165 | 150 | 30 | 5.3 | 60 | 200 | ? | 1 |
| BR200W360 | | 360 | | | | | | | | |
| BR200W150 | | 150 | | | | | | | | |
| BR200W250 | | 250 | | | | | | | | |
| BR300W025 | 0.3 | 25 | 215 | 200 | 30 | 5.3 | 60 | 150 | 0.75 | 2 |
| BR300W070 | | 70 | | | | | | | | |
| BR300W100 | | 100 | | | | | | | | |
| BR300W110 | | 110 | | | | | | | | |
| BR300W250 | | 250 | | | | | | | | |
| BR300W400 | | 400 | | | | | | | | |
| BR400W040 | 0.4 | 40 | 265 | 250 | 30 | 5.3 | 60 | 150 | 0.93 | 2 |
| BR400W150 | | 150 | | | | | | | | |
| BR500W030 | 0.5 | 30 | 335 | 320 | 30 | 5.3 | 60 | N/A | 1.1 | 3 |
| BR500W100 | | 100 | | | | | | | | |
| BR1K0W020 | 1.0 | 20 | 400 | 385 | 50 | 5.3 | 100 | N/A | 2.8 | 4 |
| BR1K0W075 | | 075 | | | | | | | | |
| BR1K0W4P3 | | 4.3 | | | | | | | | |
| BR1K0W5P1 | | 5.1 | | | | | | | | |
| BR1K0W016 | | 16 | | | | | | | | |
| BR1K0W050 | 50 | | | | | | | | | |
| BR1K2W3P9 | 1.2 | 3.9 | See drawing #6 | | | | | | ? | 6 |
| BR1K2W6P8 | | 6.8 | | | | | | | | |
| BR1K2W008 | | 8 | | | | | | | | |
| BR1K2W015 | | 15 | | | | | | | | |
| BR1K5W3P3 | 1.5 | 3.3 | | | | | | | | |
| BR1K5W005 | | 5 | | | | | | | | |
| BR1K5W012 | | 12 | | | | | | | | |
| BR1K5W013 | | 13 | | | | | | | | |
| BR1K5W040 | | 40 | | | | | | | | |
| BR1K5W043 | | 43 | | | | | | | | |

Brake resistor type vs. Drive type (Voltage&Power)

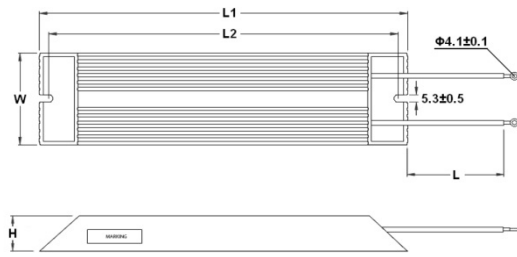
For use in the different drives, either with built-in brake chopper or additional option brake unit, please refer to the related user manuals.

Dimensional drawings

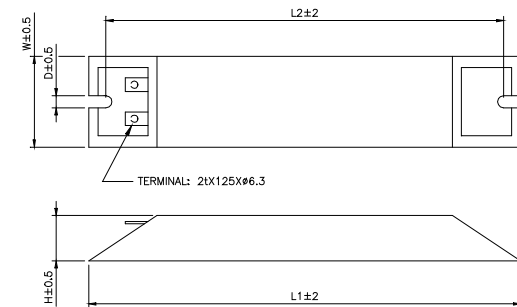
#1



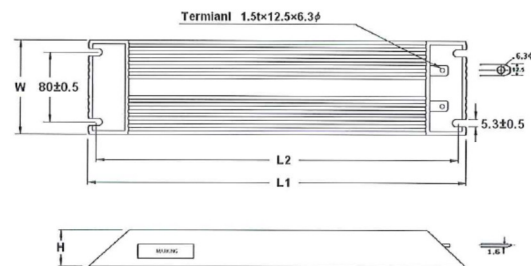
#2



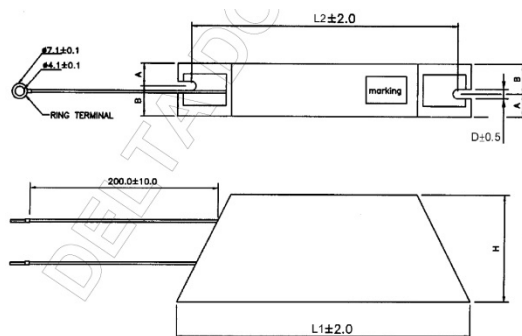
#3



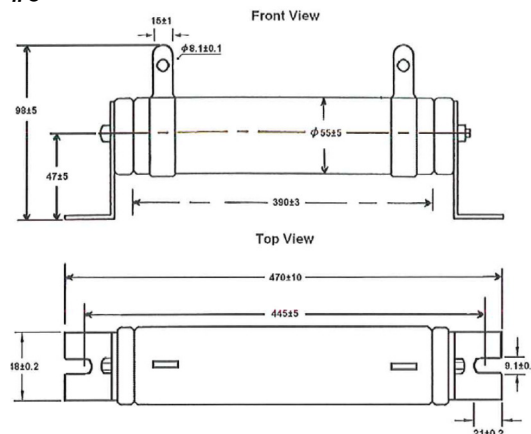
#4



#5



#6



Specifications

| Test | Test conditions | Specification |
|-------------------------|---|---|
| Operating temperature | | -55 ~ 250°C >200°C: use forced cooling with airspeed 3~10m/s -55 ~ 600°C for resistors acc. drawing #6 >350°C : use forced cooling with airspeed 3~10m/s |
| Tolerance | at 25°C | ±5% |
| Temperature coefficient | | ±260ppm/°C |
| Housing material | | Oxidized aluminium Ceramic coating for resistors acc. to drawing #6 |
| Isolation resistance | between terminals (terminal wire) and housing or mounting bracket | 100MΩ @500VDC 1min |
| Dielectric strength | between terminals (terminal wire) and housing or mounting bracket | 1500VAC 1min |
| Overload | Cycle 10s on ~ 90s off | 10x rated power |
| Lead pull strength | | 2.5kg 10s Not applicable when resistor has no leads acc. to drawing |
| Vibration | 10~55~10Hz sweep in 1min Amplitude 0.75mm | 2hrs per direction |