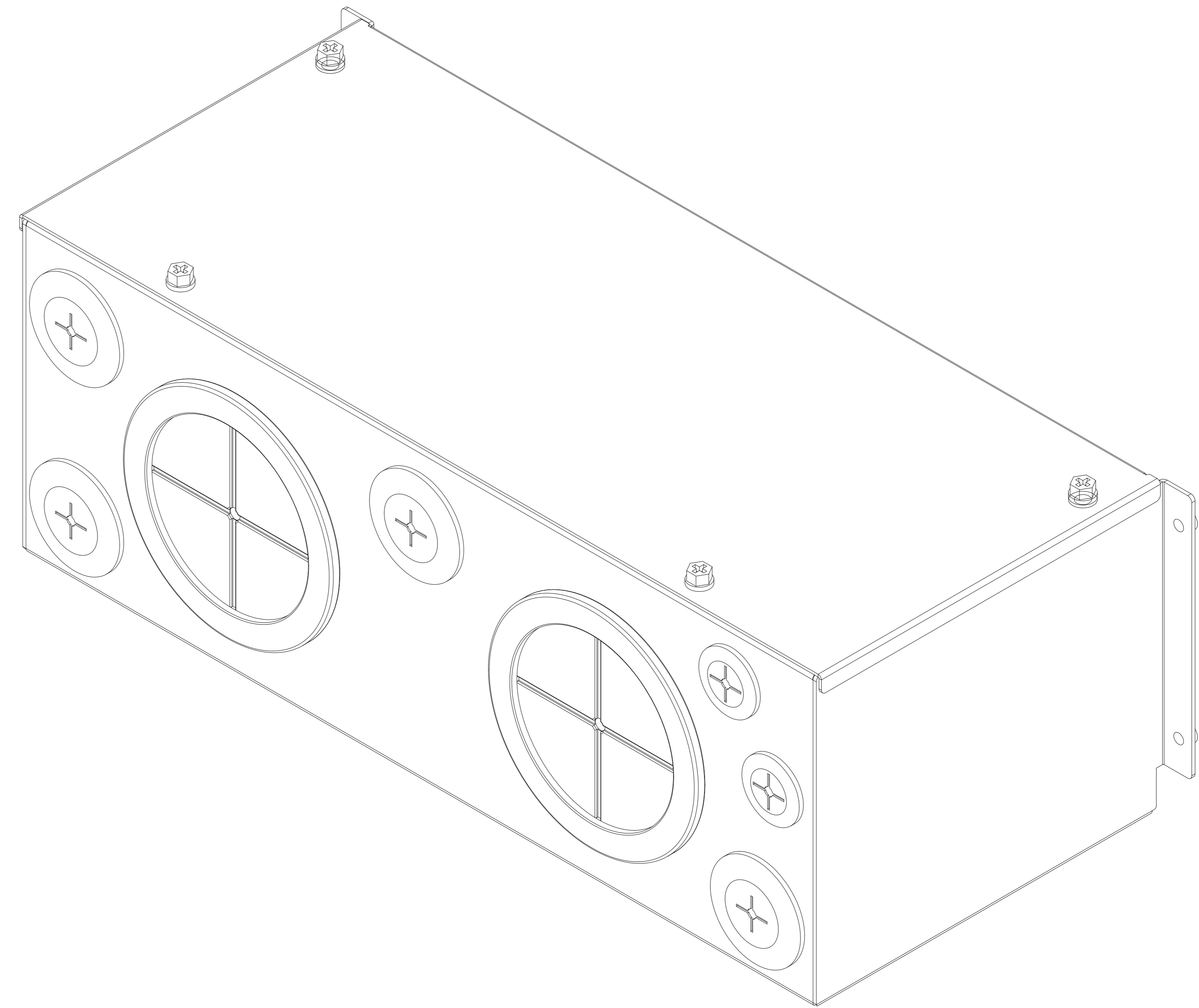
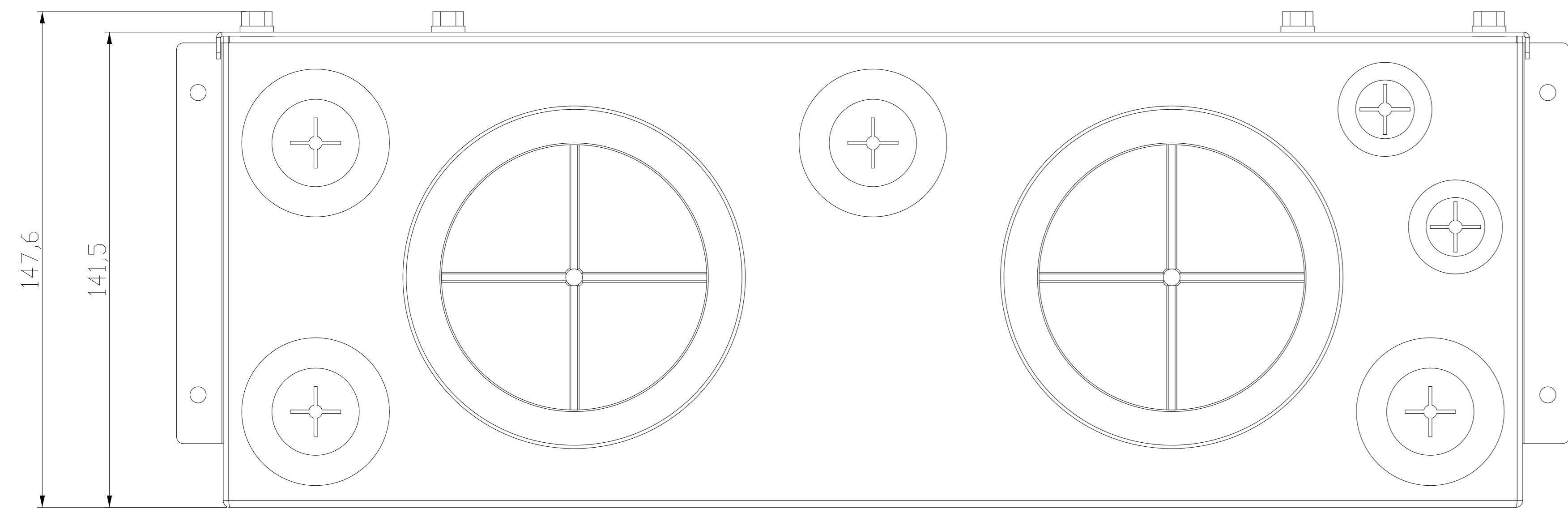
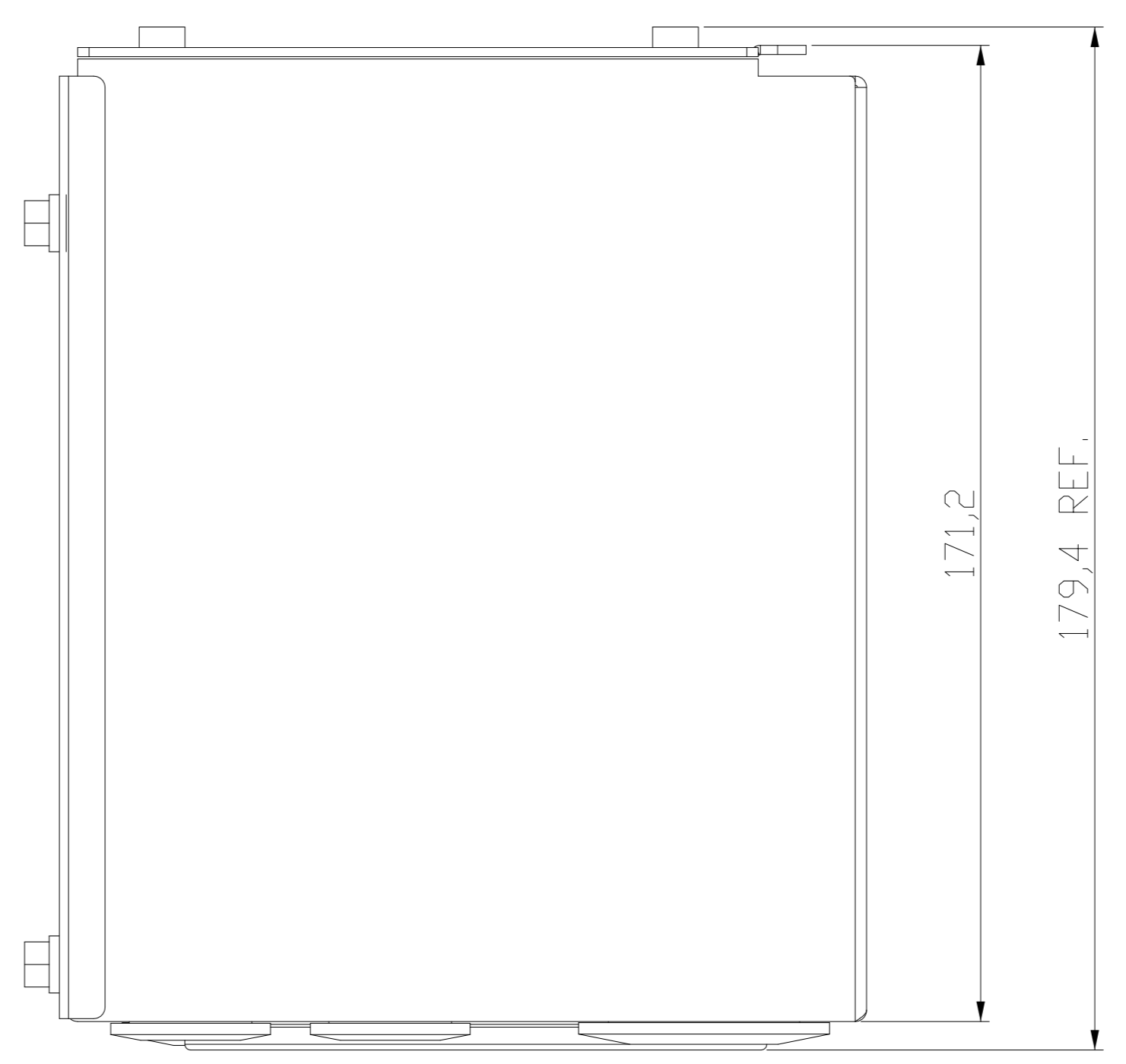
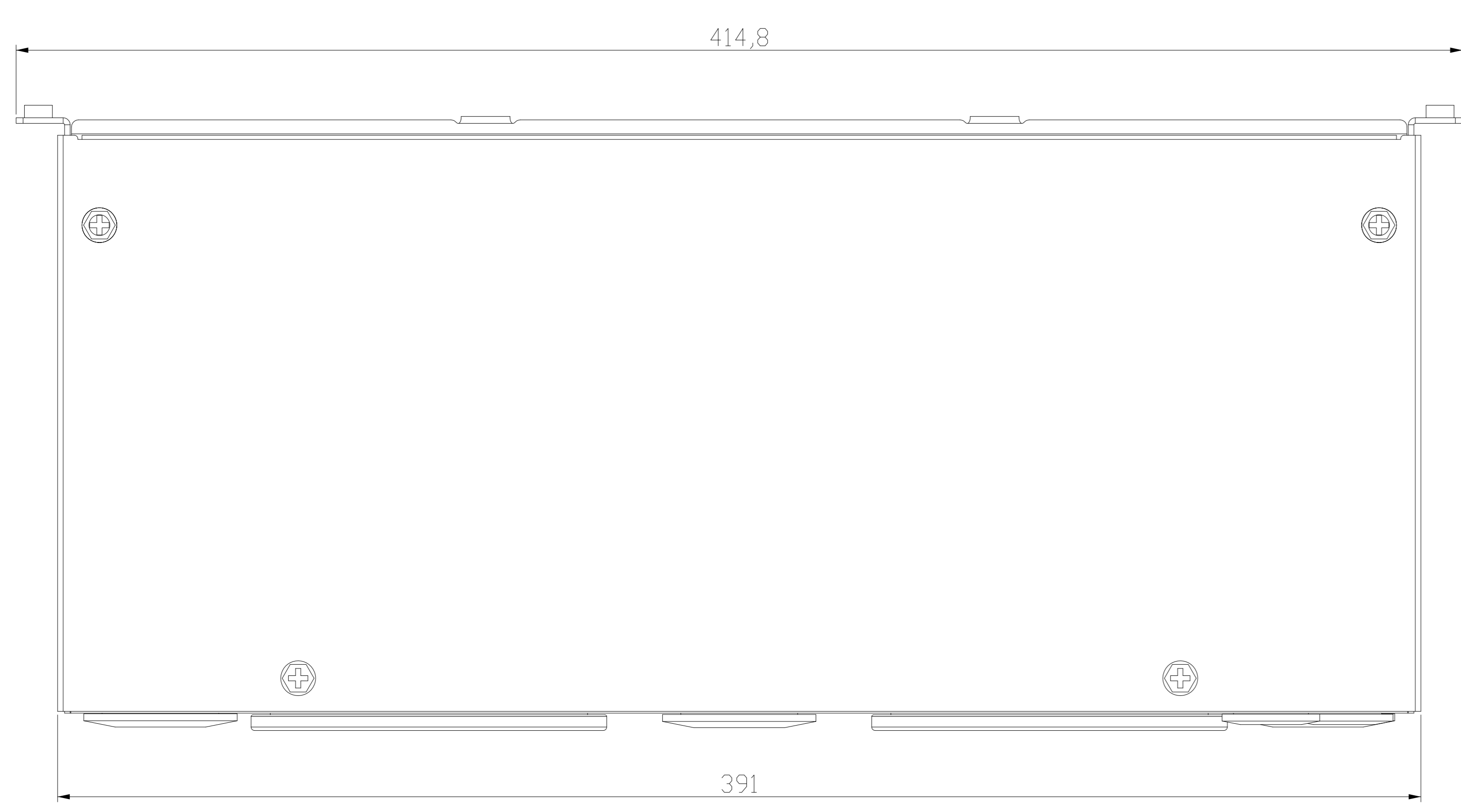


REV.	ECN NO.
00	-----

A  
B  
C  
D  
E  
F  
G  
H  
I  
J  
K  
L

A  
B  
C  
D  
E  
F  
G  
H  
I  
J  
K  
L



<b>DELTA</b> 台達電子工業股份有限公司 DELTA ELECTRONICS, INC.		DRAWN: Todd.Yeh	DESIGN: Todd.Yeh
APPROVE: Vincent.Chen		DATE: 02/07/2013	
THESE DRAWINGS AND SPECIFICATIONS ARE THE PROPERTY OF DELTA ELECTRONICS, INC. AND SHALL NOT BE REPRODUCED OR USED AS THE BASIS FOR THE MANUFACTURE OR SELL OF APPARATUS OR DEVICES WITHOUT PERMISSION.			
DESCRIPTION: MKC-FN1CB-PD		PART NO.: MKC-FN1CB	
USED ON: VFD-C_FRAME-F	UNIT: mm	SCALE: 1,000	SHEET 1 OF 1
REV. 00			