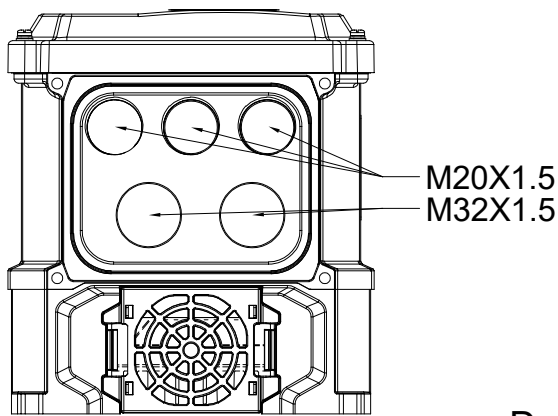
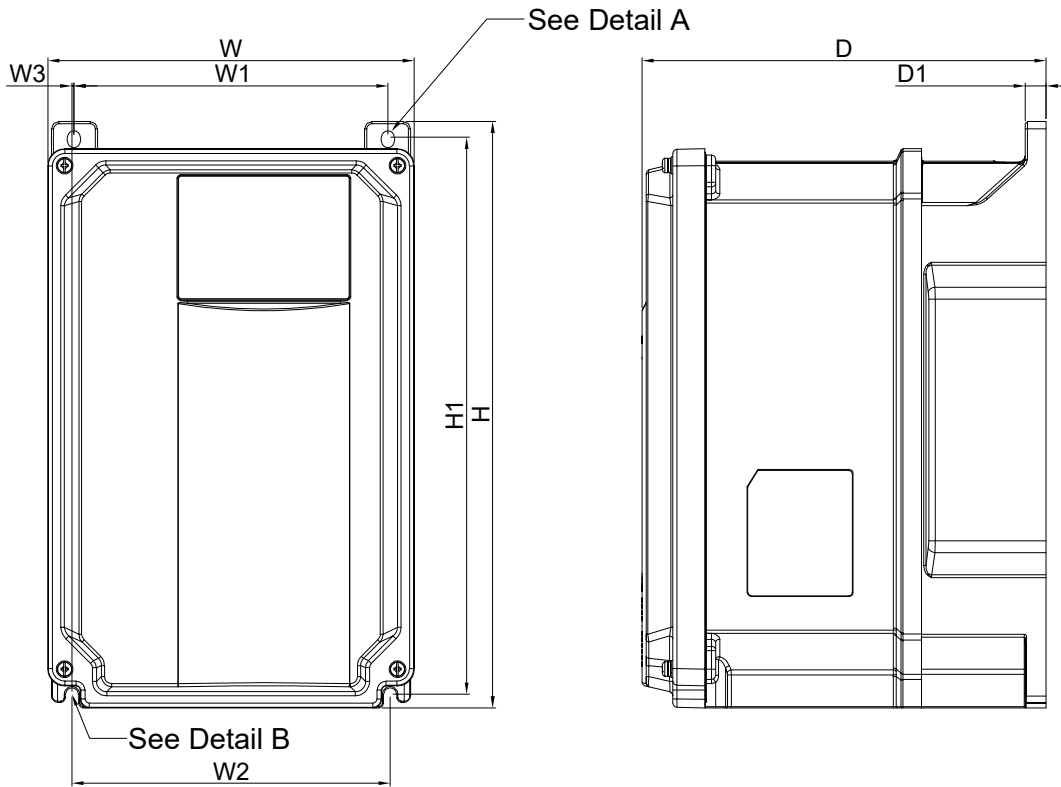


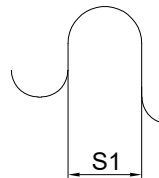
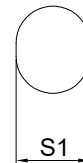
DRAWING_1

Send Quote Requests to info@automatedpt.com

Call +1(800)985-6929 To Order or Order Online At Deltaacdrives.com



Detail A (Mounting Hole)



Detail B (Mounting Hole)

DIMENSION

UNIT:mm[inch]

	W	W1	W2	W3	H	H1	D	D1	S1
B	175.0[6.89]	150.0[5.91]	152.0[5.98]	1.0[0.04]	280.0[11.02]	266.0[10.47]	193.0[7.60]	10[0.39]	6.4[0.25]



DELTA

台達電子工業股份有限公司

DELTA ELECTRONICS, INC.

THESE DRAWINGS AND SPECIFICATIONS ARE THE PROPERTY OF DELTA ELECTRONICS, INC. AND SHALL NOT BE REPRODUCED OR USED AS THE BASIS FOR THE MANUFACTURE OR SELL OF APPARATUSES OR DEVICES WITHOUT PERMISSION.

DOCUMENT NAME

VFD-MS300-NEMA4X-B-PD

Send Quote Requests to info@automatedpt.com
Call +1(800)985-6929 To Order or Order Online At Deltaacdrives.com

DRAWING_2

Send Quote Requests to info@automatedpt.com

Call +1(800)985-6929 To Order or Order Online At Deltaacdrives.com

STANDARD

1.MODEL:

FRAME_B

VFD7A5MS21MFSAA
VFD11AMS21MNSAA
VFD11AMS21MFSAA
VFD11AMS23MNSAA
VFD5A5MS43MFSAA
VFD17AMS23MNSAA
VFD9A0MS43MNSAA
VFD9A0MS43MFSAA

01	Add. Drawing_2a for GS20X Series	2019/04/10
00	FIRST ISSUE	2018/04/19
REV.	DESCRIPTION	DATE
DRAWN	EASON.CHENG	DESIGN EASON.CHENG

Send Quote Requests to info@automatedpt.com
Call +1(800)985-6929 To Order or Order Online At Deltaacdrives.com