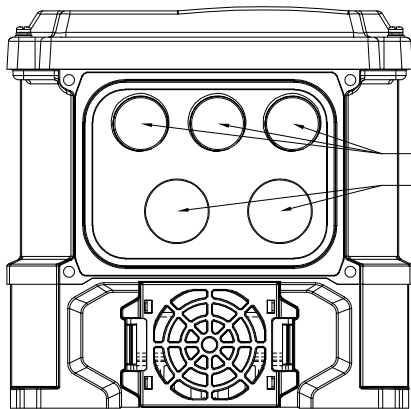
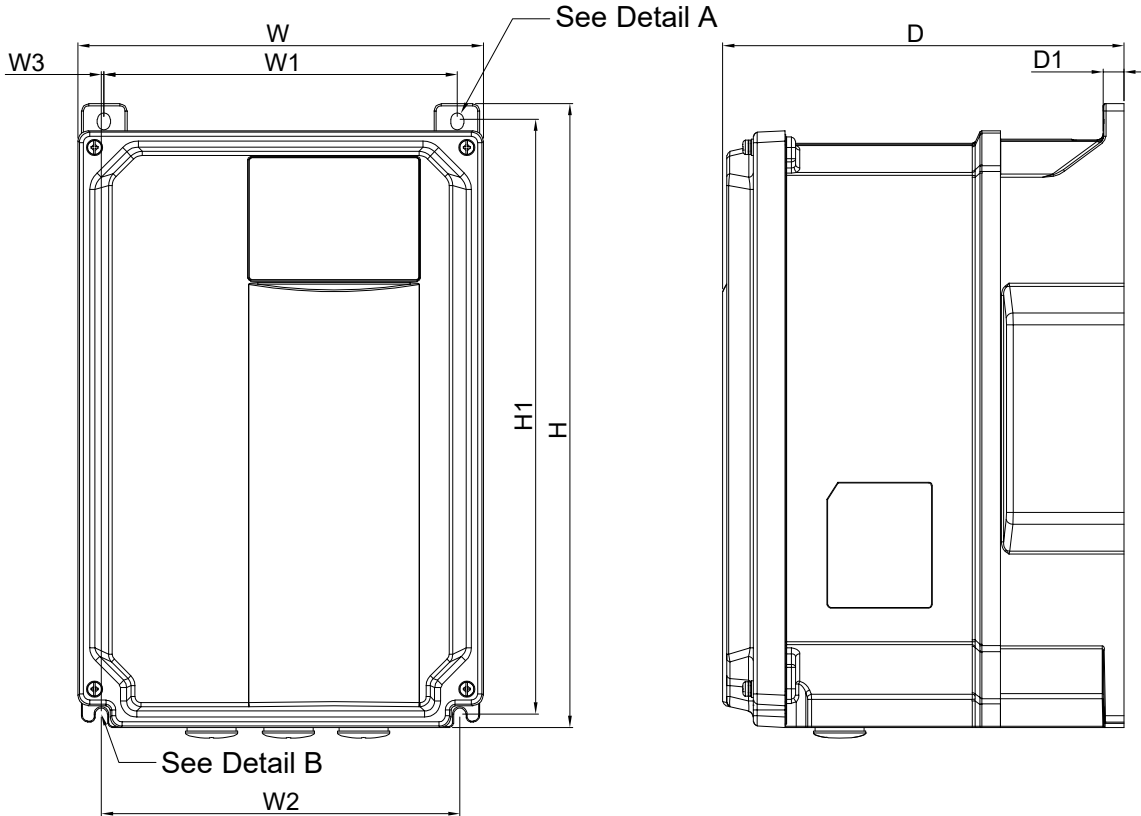


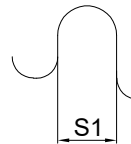
# DRAWING\_1

Send Quote Requests to [info@automatedpt.com](mailto:info@automatedpt.com)

Call +1(800)985-6929 To Order or Order Online At [Deltaacdrives.com](http://Deltaacdrives.com)



Detail A (Mounting Hole)



Detail B (Mounting Hole)

## DIMENSION

UNIT:mm[inch]

	W	W1	W2	W3	H	H1	D	D1	S1
<b>C</b>	195.0[7.68]	170.0[6.69]	172.4[6.79]	1.2[0.05]	300.0[11.81]	286.0[11.26]	193.0[7.60]	10[0.39]	6.4[0.25]



**DELTA**

台達電子工業股份有限公司

DELTA ELECTRONICS, INC.

THESE DRAWINGS AND SPECIFICATIONS ARE THE PROPERTY OF DELTA ELECTRONICS, INC. AND SHALL NOT BE REPRODUCED OR USED AS THE BASIS FOR THE MANUFACTURE OR SELL OF APPARATUSES OR DEVICES WITHOUT PERMISSION.

DOCUMENT NAME

VFD-MS300-NEMA4X-C-PD

Send Quote Requests to [info@automatedpt.com](mailto:info@automatedpt.com)  
Call +1(800)985-6929 To Order or Order Online At [Deltaacdrives.com](http://Deltaacdrives.com)

# DRAWING\_2

Send Quote Requests to info@automatedpt.com

Call +1(800)985-6929 To Order or Order Online At Deltaacdrives.com

## STANDARD

### 1.MODEL:

#### FRAME\_C

VFD13AMS43MNSAA

VFD13AMS43MFSAA

VFD25AMS23MNSAA

VFD17AMS43MNSAA

VFD17AMS43MFSAA

01	Add. Drawing_2a for GS20X Series	2019/04/10
00	FIRST ISSUE	2018/04/19
REV.	DESCRIPTION	DATE
DRAWN	EASON.CHENG	DESIGN EASON.CHENG

Send Quote Requests to info@automatedpt.com  
Call +1(800)985-6929 To Order or Order Online At Deltaacdrives.com