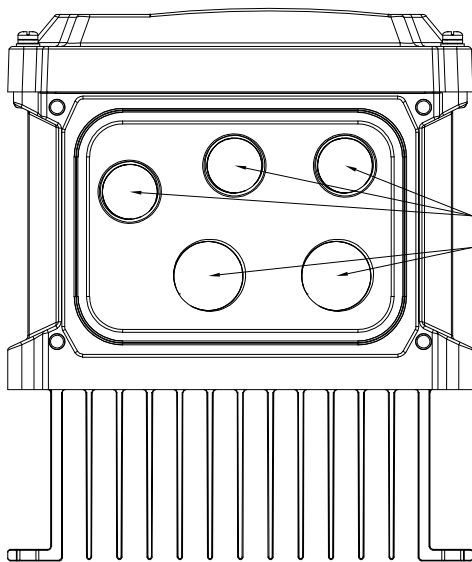
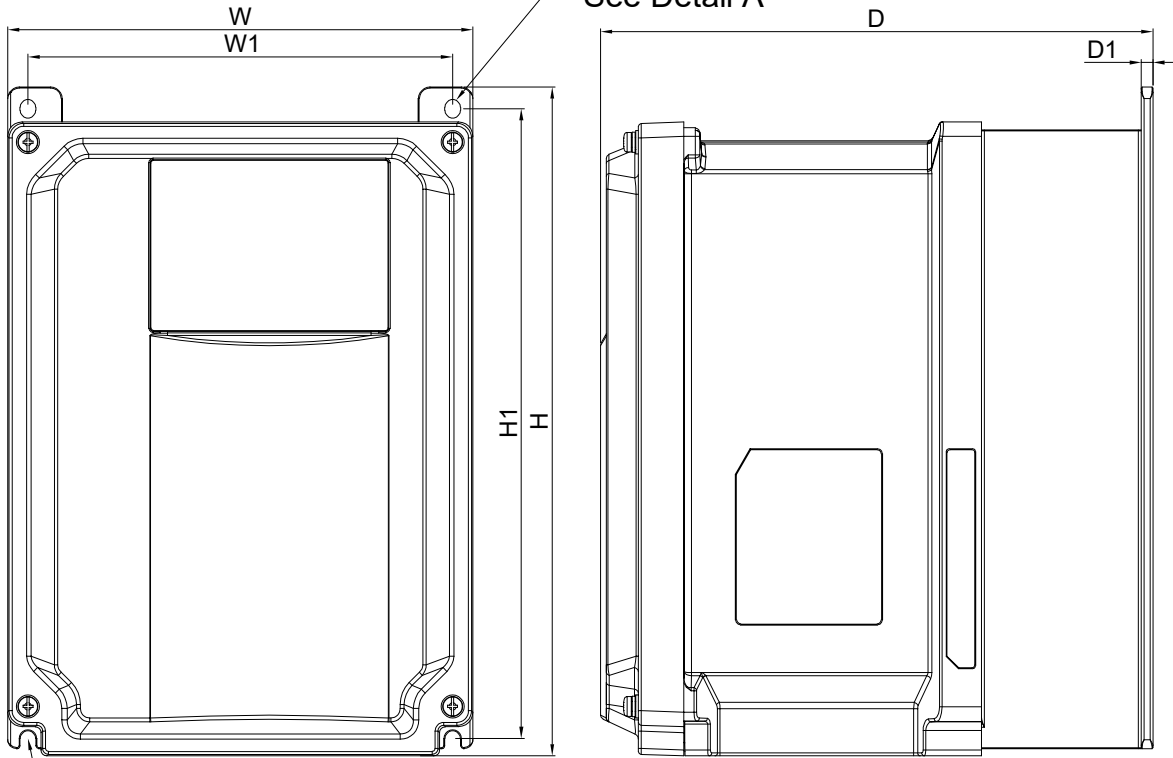


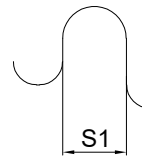
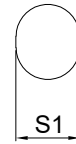
DRAWING_1

Send Quote Requests to info@automatedpt.com

Call +1(800)985-6929 To Order or Order Online At Deltaacdrives.com



Detail A (Mounting Hole)



Detail B (Mounting Hole)

DIMENSION

UNIT:mm[inch]

	W	W1	H	H1	D	D1	S1
A1	160.0[6.30]	146.0[5.75]	230.0[9.06]	216.5[8.52]	151.0[5.94]	4.0[0.16]	5.5[0.22]
A2	160.0[6.30]	146.0[5.75]	230.0[9.06]	216.5[8.52]	167.0[6.57]	4.0[0.16]	5.5[0.22]
A3	160.0[6.30]	146.0[5.75]	230.0[9.06]	216.5[8.52]	190.0[7.48]	4.0[0.16]	5.5[0.22]



DELTA

台達電子工業股份有限公司

DELTA ELECTRONICS, INC.

THESE DRAWINGS AND SPECIFICATIONS ARE THE PROPERTY OF DELTA ELECTRONICS, INC. AND SHALL NOT BE REPRODUCED OR USED AS THE BASIS FOR THE MANUFACTURE OR SELL OF APPARATUSES OR DEVICES WITHOUT PERMISSION.

DOCUMENT NAME

VFD-MS300-N4X-A-PD

Send Quote Requests to info@automatedpt.com
Call +1(800)985-6929 To Order or Order Online At Deltaacdrives.com

DRAWING_2

Send Quote Requests to info@automatedpt.com

Call +1(800)985-6929 To Order or Order Online At Deltaacdrives.com

STANDARD

1. MODEL:

FRAME_A1

VFD2A8MS21MNSAA

VFD2A8MS21MFSAA

VFD2A8MS23MNSAA

VFD1A5MS43MNSAA

VFD1A5MS43MFSAA

VFD4A8MS21MNSAA

VFD4A8MS21MFSAA

VFD4A8MS23MNSAA

VFD2A7MS43MNSAA

VFD2A7MS43MFSAA

FRAME_A2

VFD7A5MS21MNSAA

VFD7A5MS23MNSAA

VFD4A2MS43MNSAA

VFD4A2MS43MFSAA

FRAME_A3

VFD5A5MS43MNSAA

04		
03		
02	Add. Drawing_2a For GS20X Series	2019/04/10
01	CHANGE HSK	2018/10/25
00	FIRST ISSUE	2018/04/23
REV.	DESCRIPTION	DATE
DRAWN	STARCK.SUN	DESIGN
	STARCK.SUN	

Send Quote Requests to info@automatedpt.com
Call +1(800)985-6929 To Order or Order Online At Deltaacdrives.com